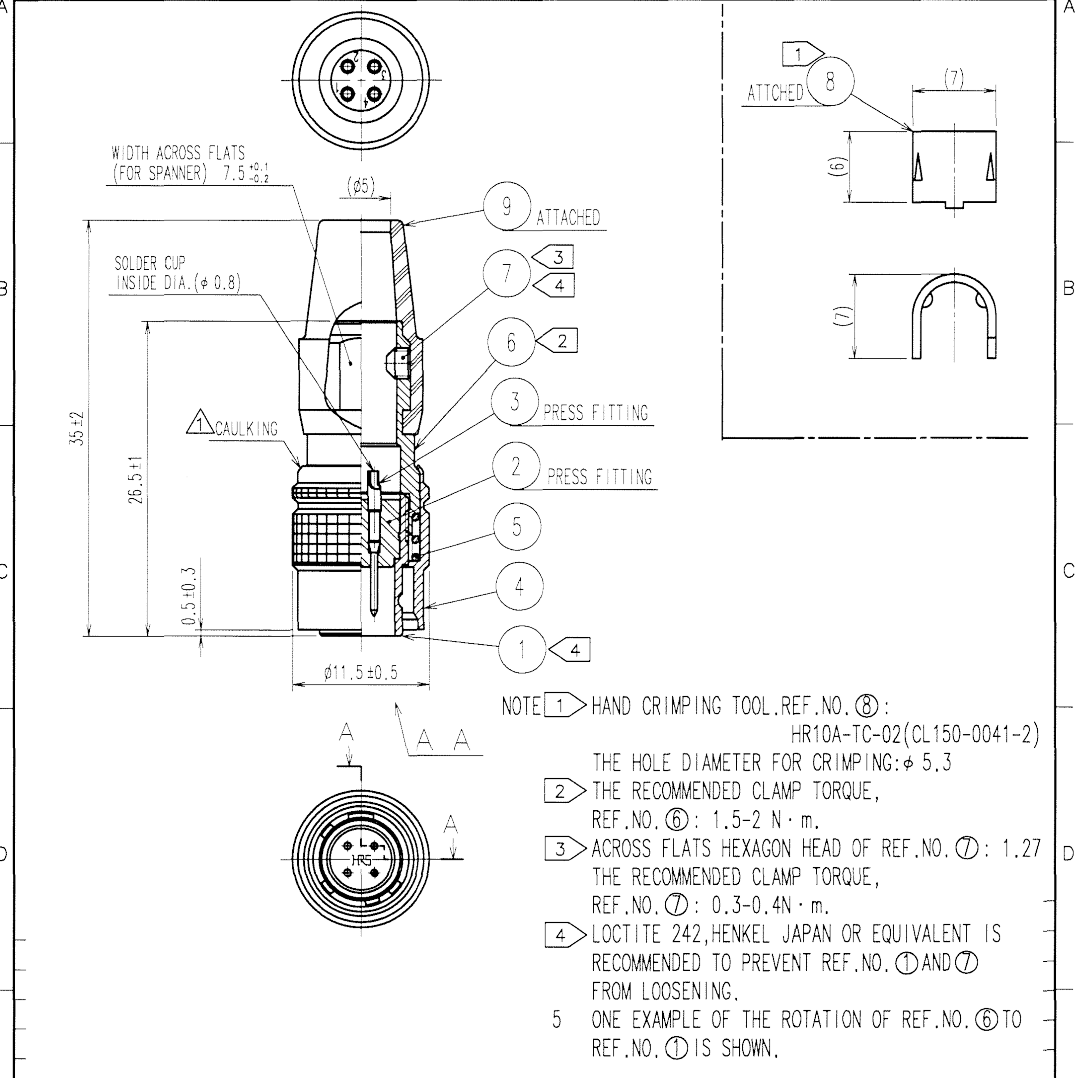


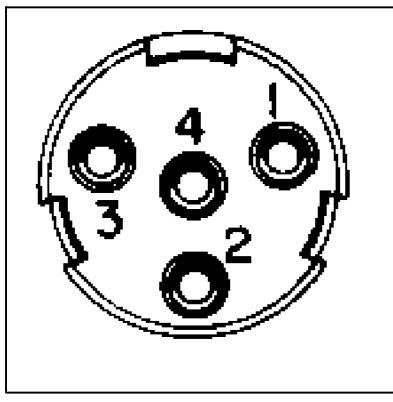
1		2		3		4			
COUNT	DESCRIPTION OF REVISIONS	BY	CHKD	DATE	COUNT	DESCRIPTION OF REVISIONS	BY	CHKD	DATE
1	DIS-C-000409	D.M.	M.S.	06.12.19					



NO.	MATERIAL	FINISH, REMARKS	NO.	MATERIAL	FINISH, REMARKS
5	STEEL	NICKEL PLATING	9	CR	(BLACK)
4	BRASS	MATTE FINISH NICKEL PLATED	8	BRASS	
3	BRASS	SILVER PLATING 2 μ m min.	7	STEEL	NICKEL PLATING HEXAGON SOCKET SET SCREW M2.6x0.45x2
2	POLYAMIDE	(BLACK) UL94V-0	6	BRASS	NICKEL PLATING
1	ZINC ALLOY	MATTE FINISH NICKEL PLATED			

CODE NO. (OLD)	CL	DRAWN	DESIGNED	CHECKED	APPROVED	RELEASED
		D. MATSUNE	D. MATSUNE	E. KUNII	M. SATO	
		'05, 11, 15	'05, 11, 15	'05, 11, 16	'05, 11, 16	

DRAWING NO.	EDC4-020534-73	PART NO.	HR10A-7P-4P(73)
SCALE	2:1	CODE NO.	CL110-0301-2-73
UNITS	mm		



Hirose - 4 PIN XLR -
 PIN 4 - GND PIN 1 - POS
 PIN 1 - POS PIN 2 - GND

TO
R

DATE: JOSHUA CAMPBELL 2019-06-19
 TITLE: Sony Hirose 4 Pin DC Out to Mini XLR 4 Pin
JDC
 NOTICE OF PROPRIETARY PROPERTY:
 THE INFORMATION CONTAINED HEREIN IS THE PROPRIETARY PROPERTY OF FACILITY MANAGEMENT
 THE FOREGOING APPLIES TO THE FOLLOWING:
 1. TO MAINTAIN THIS DOCUMENT IN CONFIDENCE
 2. NOT TO REPRODUCE OR COPY IT FOR DISTRIBUTION OUTSIDE OF FACILITY MANAGEMENT
 3. NOT TO REVEAL OR PUBLISH IT IN WHOLE OR PART
 4. ALL RIGHTS RESERVED